



Project _____

Item numbers _____

Quantity _____

Length _____

Model ES47

The model ES47 has 3/8" clear tempered glass with round corners, and the posts are made with 304 stainless steel. It is one double sided post model. ES47 model is available in multi bays options. It has pivoting adjustable brackets. This model is available with optional LED lighting which brightens your food on display. Hatco Sneezeguards have been manufacturing sneeze guards for over 33 years located in Antioch California. We have a solid reputation and are known thru out the industry as offering a durable and cost-effective product.



Model Features

- Multiple configuration
- Operator friendly
- Available with LED lights and food warmers
- Pivoting glass panel
- Face adjustable panels

Standard Features

- 3/8" Clear tempered glass with polished edges and round corners.
- Conformance with ASTN C1048-04 and tested to ANSI Z97.1 standard and certified.
- Multiple finishes
- Mounting options
- Lock face panel point every 15°

Options

- Brushed Stainless Steel
- Powder Coat RAL.....Color
- LED lighting

Accessories

- Adjustable Brackets Pairs
- Standard Flange
- Flange Cover
- Support post PC/SS
- Back horizontal tube
- Post clip



All products are manufactured to the highest standards in accordance to NSF and SGCC guidelines. To read more please see our website at www.hatcosneezeguards.com



Please read our Installation and operating manual for safety and installation guidance.

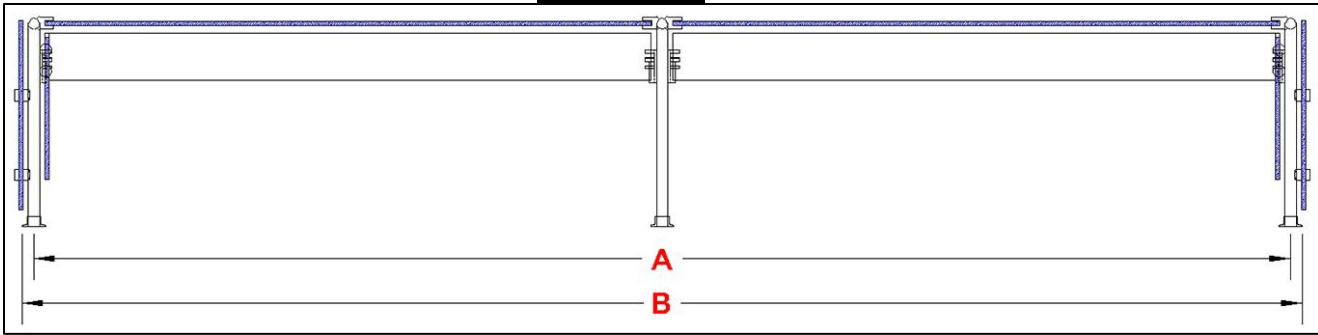




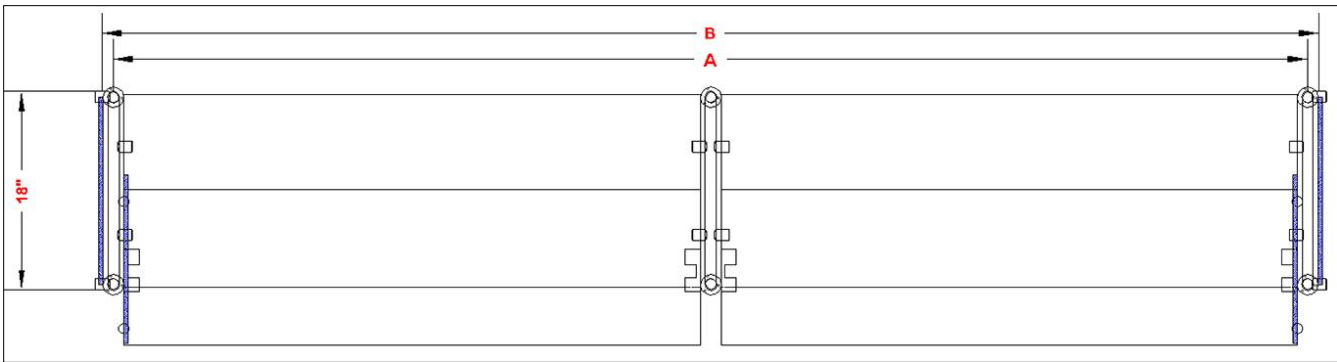
Model ES47

DIMENSIONS

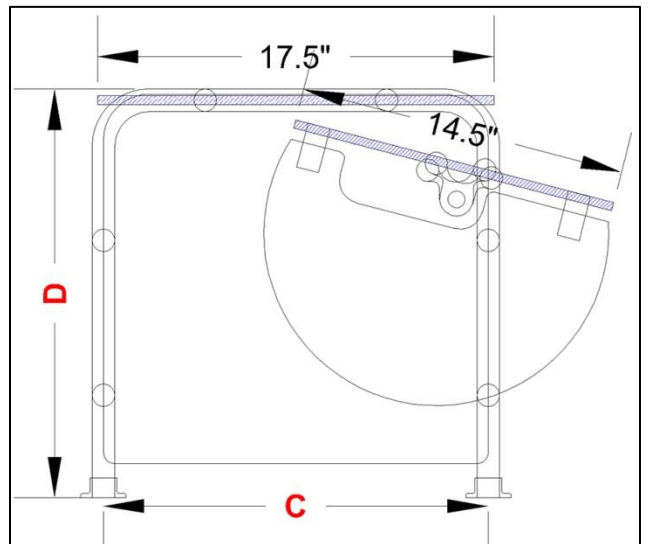
FRONT VIEW



TOP VIEW



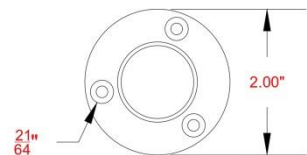
SIDE VIEW



*Dimension of Post Height (D) for 1 Bay, 2 Bay, 3 Bay, and 4 Bay is 18" and all glass Thicknesses are the same size 3/8".

BASE FLANGE

Bay	Face Length		C Post width	D Post Height
	A min-max	B min-max		
1Bay	8"-54"	10"-56"	17"	18"
2Bay	16"-108"	18"-110"	17"	18"
3Bay	24"-162"	26"-164"	17"	18"
4Bay	32"-216"	34"-218"	17"	18"

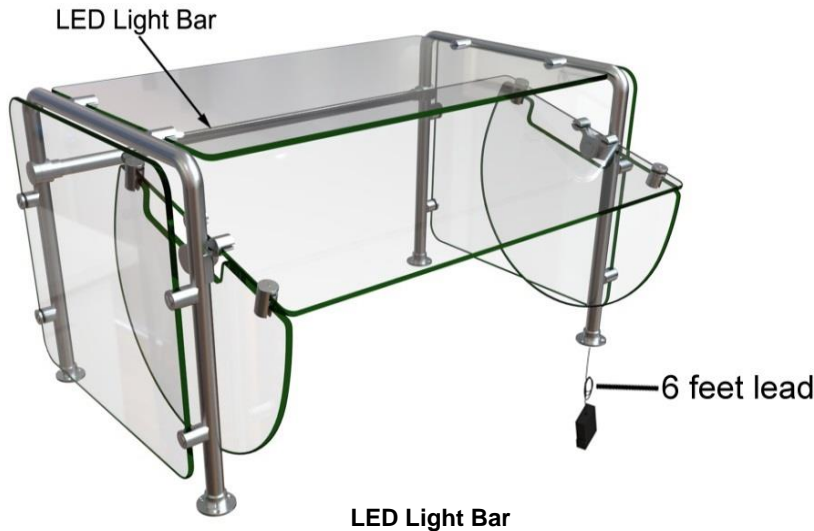


Model ES47

ES47

This product is covered by one or more of the following patents with additional pending.

[USD427460S](#) [US6132018A](#) [US8196872B1](#)
[US9557004B1](#) [USD866309S1](#) [US8936223B1](#)
[USD699546S1](#) [US9062483B1](#) [USD720604S1](#)
[USD741696S1](#) [USD741157S1](#) [USD659517S1](#)
[US8973876B1](#) [USD752908S1](#) [US8302919B1](#)
[USD625984S1](#) [USD720605S1](#) [USD636658S1](#)
[US9399882B1](#) [USD719820S1](#) [USD867117S1](#)
[US9144329B1](#) [USD625170S1](#) [USD719821S1](#)
[USD741697S1](#) [USD690190S1](#) [US8898862B1](#)
[US8925153B1](#)



LED BAR SPECIFICATION

LED Bar SIZE	24"	30"	36"	42"	48"	54"
Sections	1	1	1	2	2	3
LED Bulb	18	18	18	18*2	18*2	18*3
110v input	12v DC	12v DC	12v DC	12v DC	12v DC	12v DC
Lumens	360	360	360	720	720	1080

Dimensions

ES47 dimension for 1 Bay, 2 Bay, 3 Bay, and 4 Bay is 8"- 54", and all glass Thicknesses are the same size 3/8".

Shipping

- Shipping with minimum time
- Shipping with safe packaging
- Shipping exact location
- Shipping multi-bay with different-different parts





Model ES47

Specifications Bays Options

Select Bay	(Measurements)- Face Length A	(Measurements)- Face Length B	(Measurements)- Face Length C	(Measurements)- Face Length D	Post Height	Options				Extra
						End Glass	Flange Covers	Light Bar	Post Finish	
1 Bay	8"- 54"	NA	NA	NA	18"	Available	Available	Available	Brushed stainless/coated black /	Available
2 Bay	8"- 54"	8"- 54"	NA	NA	18"	Available	Available	Available	Brushed stainless/coated black /	Available
3 Bay	8"- 54"	8"- 54"	8"- 54"	NA	18"	Available	Available	Available	Brushed stainless/coated black /	Available
4 Bay	8"- 54"	8"- 54"	8"- 54"	8"- 54"	18"	Available	Available	Available	Brushed stainless/coated black	Available

Dimensions

ES47 dimension for 1 Bay, 2 Bay, 3 Bay, and 4 Bay is 8"- 54", and all glass Thicknesses are the same size 3/8".

Shipping

- Shipping with minimum time
- Shipping with safe packaging
- Shipping exact location
- Shipping multi-bay with different-different parts

Installation requirements

Our sneeze guards are designed with center to center dimensions in mind. Please allow for flange width when considering your installation overall size.

Model ES47 Specification

In this model of ES47 include both side (Left & Right) post with led bar. Each Post distance is up to 54". Its finishes with brushed stainless steel, and powder coat black. ES47 model using 3/8" clear tempered glass. This is double sided post model. This model using the left and right-side end panels. The Led bar is most important part of this model which brings a beautiful look.

It can be easily installed on the food counter or reception desk. Post with standard base flange options. Specially used for food counter or office place.





Model ES47

